

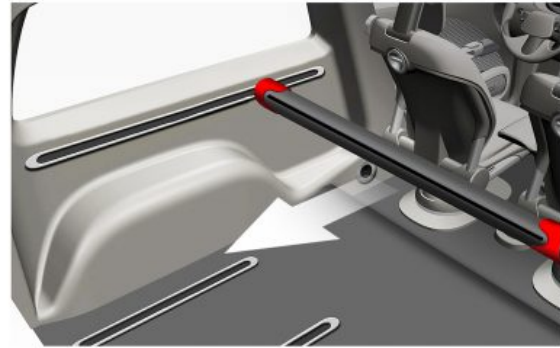
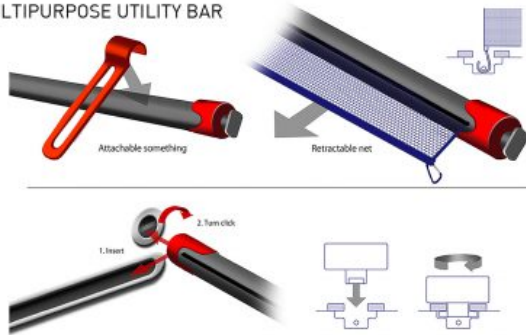
# Toyota U-squared Urban Utility Concept Vehicle

## 018

September 10, 2014

### RE-DEFINITION OF URBAN UTILITY

#### REAR CARGO FUNCTION MULTIPURPOSE UTILITY BAR



UTILITY BAR POSITION IS ADJUSTABLE ALONG RAIL AND RELOCATED FOR NEEDED FUNCTION

